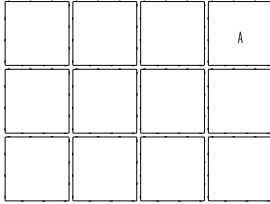




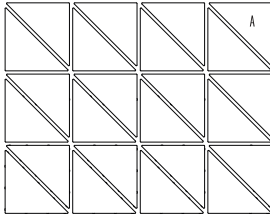
# INDUSTRIA 300 SERIES

**DESCRIPTION:** Paver **TEXTURE:** HD<sup>2</sup> Smooth or HD<sup>2</sup> Granitex

## PALLET OVERVIEW - 300x300



## PALLET OVERVIEW - TRIANGLE



### NOTES

See page 60 to 62 for more technical information.

See page 29 for more information about applications.

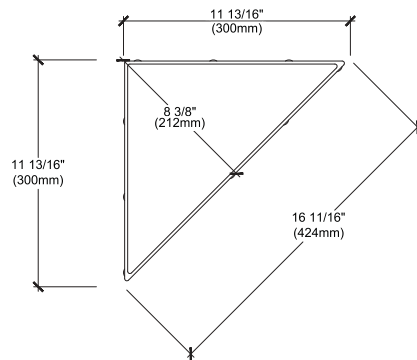
300 Series HD<sup>2</sup> Polished and HD<sup>2</sup> Granitex is made-to-order, minimum order of 500 sq. ft. Deposit required. HD<sup>2</sup> Smooth is in stock with shorter lead times.

Specifications per pallet		Imperial	Metric
300x300	Cubing	<b>81.38 ft<sup>2</sup></b>	7.56 m <sup>2</sup>
	Approx. Weight	3 725 lbs	1 690 kg
	Number of rows	7	
	Coverage per row	11.63 ft <sup>2</sup>	1.08 m <sup>2</sup>
	Linear coverage per row	11.81 lin. ft	3.60 lin. m

Unit dimensions		in	mm	Units/pallet
	Height	3 15/16	100	84 units
	Width	11 13/16	300	
	Length	11 13/16	300	

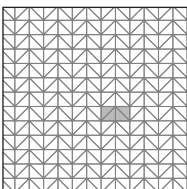
Specifications per pallet		Imperial	Metric
TRIANGLE	Cubing	<b>81.38 ft<sup>2</sup></b>	7.56 m <sup>2</sup>
	Approx. Weight	3 743 lbs	1 698 kg
	Number of rows	7	
	Coverage per row	11.63 ft <sup>2</sup>	1.08 m <sup>2</sup>
	Linear coverage per row	11.81 lin. ft	3.60 lin. m

Unit dimensions		in	mm	Units/pallet
	Height	3 15/16	100	168 units
	Width	11 13/16	300	
	Length	11 13/16	300	



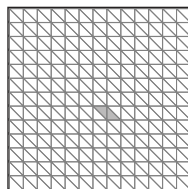
### 01 | Linear pattern

100% - 300x300



### 03 | Linear pattern

100% - 300x300



Patterns are for design inspiration only. The installer is responsible to calculate & purchase the correct amount of material.

