



U-Cara[®] Multi-Face Wall System

1-800-UNILOCK | UNILOCK.COM

UNILOCK
PAVERS & WALLS

U-CARA[®] MULTI-FACE WALL SYSTEM

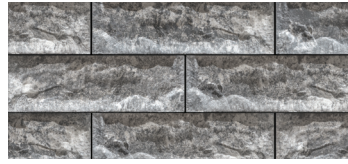
Exclusive to **JNIOLOCK**

ENDURACOLOR[™]

PITCHED FINISH



ALMOND GROVE FUSION



GRANITE FUSION

SERIES[™] FINISH

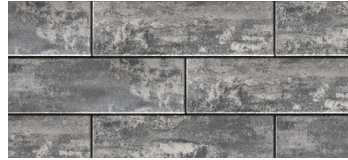


BLACK GRANITE 3" PANEL ONLY

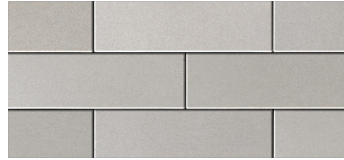
SMOOTH FINISH



ALMOND GROVE FUSION



GRANITE FUSION



OPAL BLEND



TUSCANY

UMBRIANO FINISH - SMOOTH FINISH ONLY



FRENCH GREY



MIDNIGHT SKY



SUMMER WHEAT



WINTER MARVEL

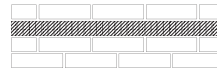
LAYING PATTERNS



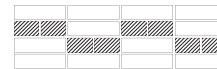
1/2 Running Bond



1/2 Running Bond with Linear Accents



1/2 Running Bond with Paver Accents



Mixed Bond



Stacked Bond



Stacked Bond with Accents



1/2 Running Bond with Random Accents



1/3 Running Bond

PRODUCT ATTRIBUTES

Visual Appearance	The U-Cara [®] Multi-Face Wall System represents a revolution in wall design. Comprised of 2 basic components: Sure Track Backer Blocks- providing dimensionally accurate structure, and U-CARA fascia panels- providing unlimited design options. U-CARA Wall matches select pavers exactly with the same manufacturing and aggregate blends. Superior pairing from vertical to horizontal landscapes.
Finish	Available in Umbriano* (Smooth Finish only), Smooth Face, Pitched Face and the 3" Panels are available in Series [™] finish Black Granite.

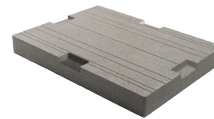
PRODUCT SPECIFICATIONS



SURE TRACK STANDARD BACKER
6 x 8 x 6"
150 x 200 x 150mm



SURE TRACK LARGE BACKER
6 x 7 x 12"
150 x 175 x 300mm



U-GRIP[™] BASE PAD
14 x 19 x 2"
355 x 482 x 55mm



SURE TRACK CORNER INSERT
L = 2" / 50mm
40 clips / bag



6" STANDARD FASCIA HALF PANEL
6 x 18½ x 2⅜"
150 x 466 x 60mm



STANDARD FASCIA HALF PANEL
6 x 9¼ x 2⅜"
150 x 233 x 60mm

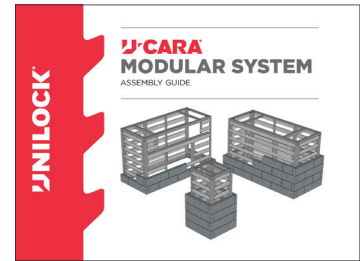
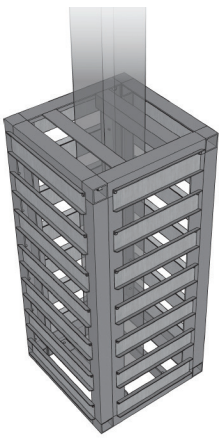


CLOSED-END FASCIA PANEL
6 x 21 x 2⅜"
150 x 540 x 60mm



3" FASCIA PANEL
3 x 9¼ x 2⅜"
75 x 233 x 60mm

2 UNIT CORNER BUNDLE



Check out the U-CARA Modular System Assembly Guide at [unilock.com](https://contractor.unilock.com/u-cara/)

<https://contractor.unilock.com/u-cara/>

PILLAR UNIT
Model : UL-PU
 18½ x 18½ x 41⅝"
 470 x 470 x 1056mm

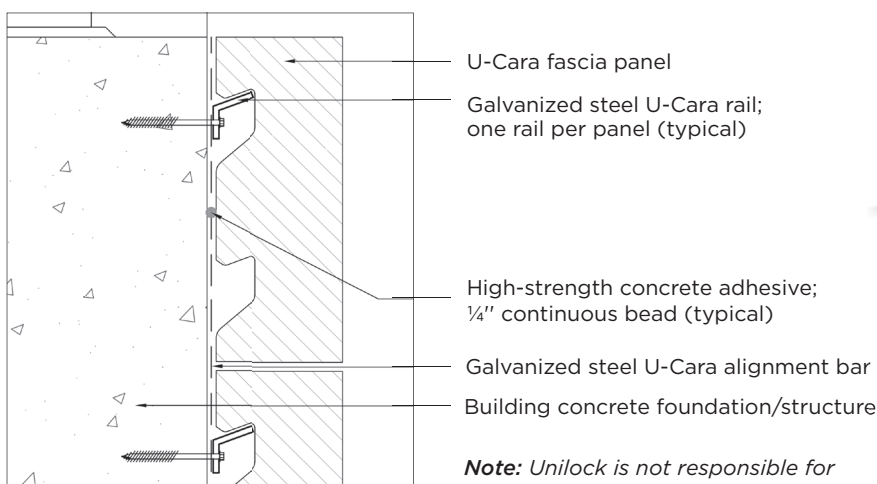
U-CARA® WALL MOUNT SYSTEM



EASILY CLAD STRUCTURES WITH U-CARA TO COMPLEMENT YOUR HARDSCAPE PROJECT

WITH A SIMPLE 3 STEP PROCESS:

- 1** Mount Alignment Bar
- ➔
- 2** Attach U-Cara Mount Rails
- ➔
- 3** Hang U-Cara Fascia Panels



Note: Unilock is not responsible for structural strength/integrity of substrates to which the mounting system is attached.

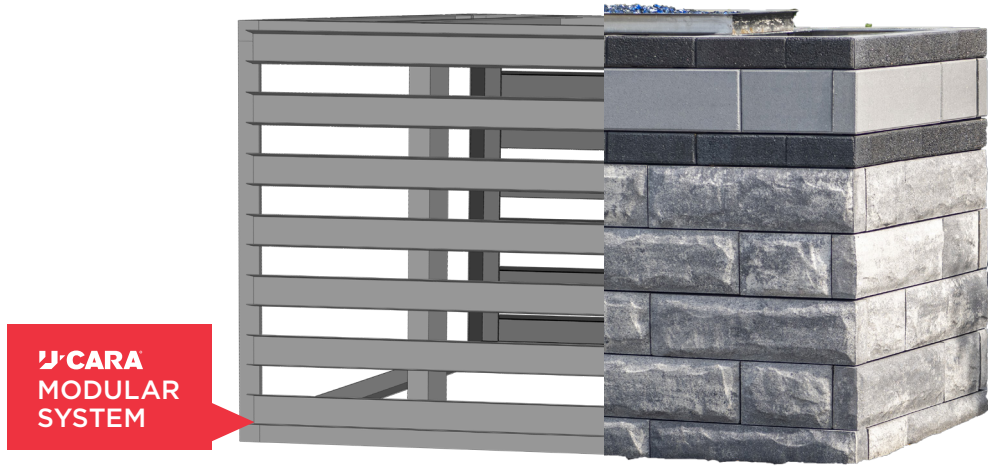


*Visit unilock.com to download the **U-CARA Modular System Brochure**

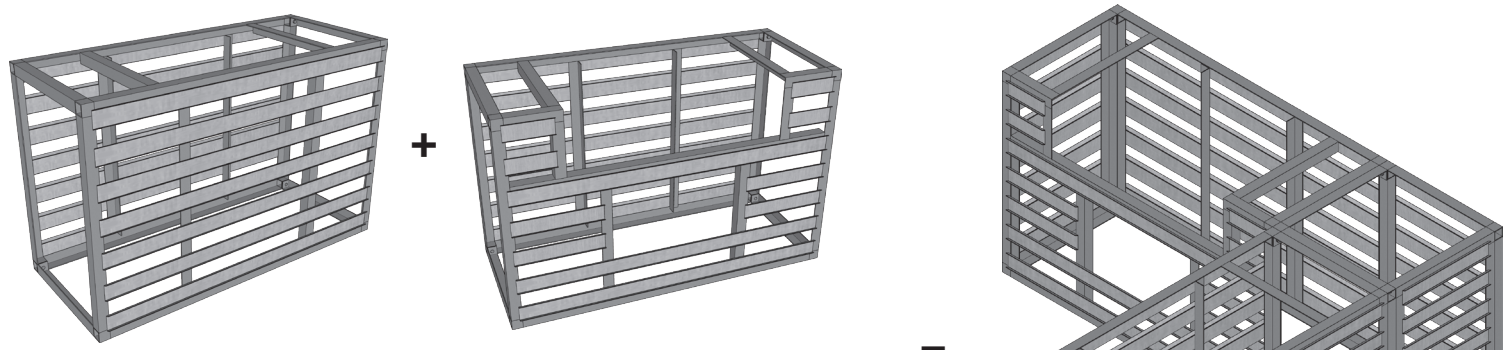
U-CARA[®] MODULAR SYSTEM

CONSTRUCT CREATIVE VERTICALS WITH SPEED ACCURACY AND STRENGTH

- GRILL ISLANDS
- BACKSPLASHES
- FIRE TABLES
- PILLARS
- BARS

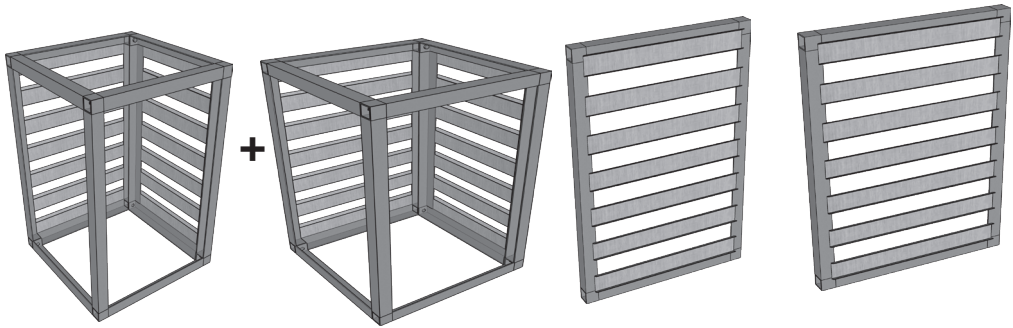


PRODUCT SPECIFICATIONS



BASE MODULE
Model : U-BC 70
64½ x 27½ x 41⅙"
1638 x 699 x 1056mm

GRILL MODULE
Model : U-GC 70
64½ x 41⅙"
1638 x 1056mm
**Depth is determined by End Cap*



CORNER MODULE
Model : U-CC 28
27½ x 27½"
699 x 699mm

CORNER MODULE
Model : U-CC 2837
27½ x 36½"
699 x 927mm

STANDARD END CAP
Model : U-EC 28
23½ x 41⅙"
597 x 1056mm

LARGE END CAP
Model : U-EC 37
32¾ x 41⅙"
832 x 1056mm

**STRUCTURAL
LIFETIME
WARRANTY**

**6063
ALUMINUM**
LIGHT & STRONG

FEATURES

- | Aluminum framing
- | Pre-built panels
- | Precision fabrication
- | Light-weight
- | Expandable
- | Fits grills 36" to 42"
- | Limited lifetime warranty

BENEFITS

- | Easy to learn
- | Build verticals in hours, not days
- | Minimal experience required
- | Moveable
- | Combines seamlessly with U-Cara SureTrack Backer Blocks

TECHNICAL INFORMATION

ASTM C 1372 Standard Specifications for Dry-Cast Segmental Retaining Wall Units

Conforms to:

- C140 for Absorption and Compressive Strength > 3000 PSI
- C1262 for Freeze Thaw Durability <1% mass loss
- C1372 Overall dimensional variations permissible for width, height and length +/-3.2 mm

Unilock standards exceed 5,500 PSI for U-Cara products with:

- 4% absorption avg.
- 5% absorption max.
- Dimensional Accuracy +/-2 mm

Test results available upon request

LEED INFORMATION

Materials & Resources: LEED V4:

Building Product Disclosure and Optimization

Sourcing of Raw Materials - Sourcing of Raw Materials and Extraction • 1 point

Sourcing of Raw Materials - Leadership Extraction Practices • 1 point

Material Ingredient Reporting - Material Ingredient Reporting • 1 point

Material Ingredient Reporting - Material Ingredient Optimization • 1 point

Environmental Product Declaration • 1 point

PRODUCT DATA

Stones & Bundling	Face Feet Per		Linear Feet Per		Units Per		Per Bundle		Lbs Per	
	Bundle	Unit	Bundle	Unit	Bundle	Face Feet	Layers	Sections	Unit	Bundle
Georgetown Manufacturing Umbriano, all Fascia's and Corners / Georgetown Manufacturing Smooth & Pitched / Gormley Manufacturing Sure Track Backers										
Sure Track Standard Backer	34.88	0.323	-	-	108	3.10	3		23	2,506
Sure Track Large Backer Corner	31.79	0.757	-	-	42	1.32	3		36	1,509
Sure Track Large Backer Wall	11.87	0.283	-	-	42	3.54	3		36	1,509
Standard Fascia Panel (Smooth) 3" (75mm)	59.32	0.177	0.764	256.70	336	5.66			4	1,453
Standard Fascia Panel (Smooth) 6" (150mm)	61.52	0.732	127.68	1.52	84	1.37	6		18	1,513
Standard Fascia Panel (Pitched) 6" (150mm)	61.52	0.732	127.68	1.52	84	1.37	6		21	1,745
Corner Bundle (Smooth)	54.19				84				30	1,240
Closed-End Fascia Panel	38.94	0.927			42	1.08				
Half Fascia Panel	15.25	0.363			42	2.75				
Corner Bundle (Pitched)	54.19				84				33.69	1,415
Closed-End Fascia Panel	38.94	0.927			42	1.08				
Half Fascia Panel	15.25	0.363			42	2.75				
Universal Coping Bundle			75.90	1.581	48				57	2,747
U-GRIP Base Pad			85.39	1.581	54		9		46	2,500

Notes: Sold in full bundles only. Product is shipped on skids. Corner Bundle has 24 Right Closed-end units and 18 Left Closed-end units. All measurements are nominal. Contact your Unilock Territory Manager or call 1-800-UNILOCK for further information. *For custom options, please contact your Unilock Territory Manager.

APPLICATIONS



Garden Walls & Seat Walls



Steps



Fire Features



Grill Islands



Retaining Walls



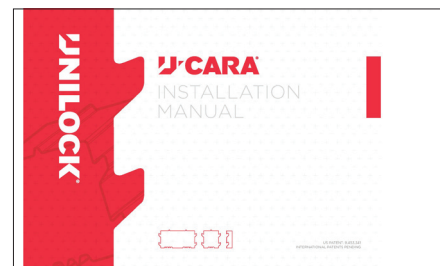
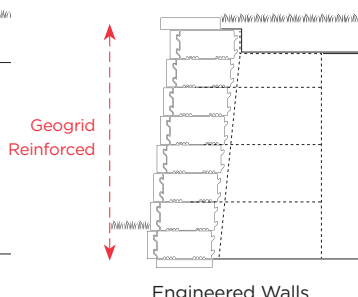
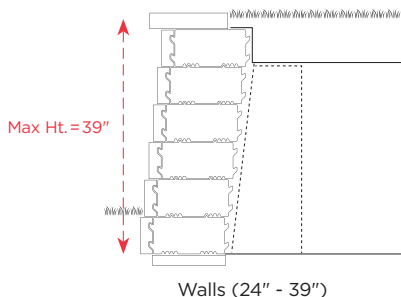
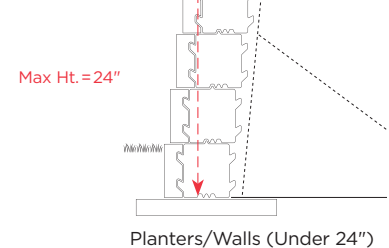
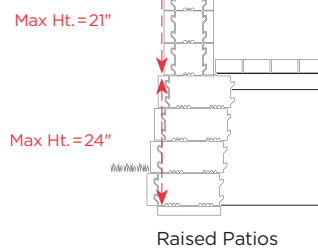
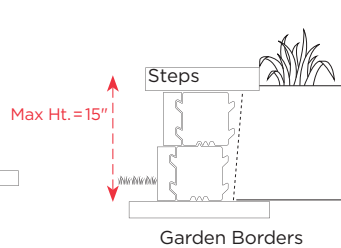
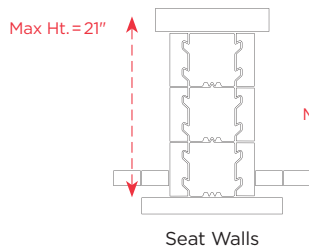
Pillars



Water Features

For coping options, we recommend using LedgeStone, Natural Stone, Universal or Umbriano Coping.

WALL DETAILS



Check out the U-CARA Installation Manual at unilock.com
<https://contractor.unilock.com/u-cara/>