



TECHO — BLOC

BAY

Installation Manual

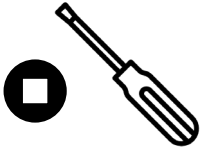


Questions?

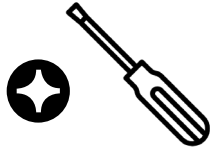
Watch our installation videos on our YouTube channel

or call Urban Bonfire for assistance: 1 (866) 898-5354

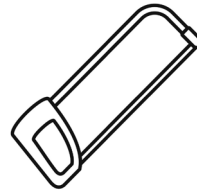
Tools Required



**Robertson #2 screwdriver
and/or drill bit**



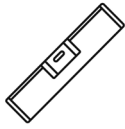
**Phillips #2 head screwdriver
and/or drill bit**



Metal Hacksaw



3/8 Wrench



Level



Clear Silicone



Wood Shim

Items Provided



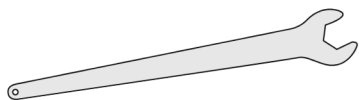
#8 screws



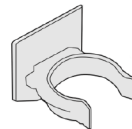
2" 8-32 Bolts



Nuts



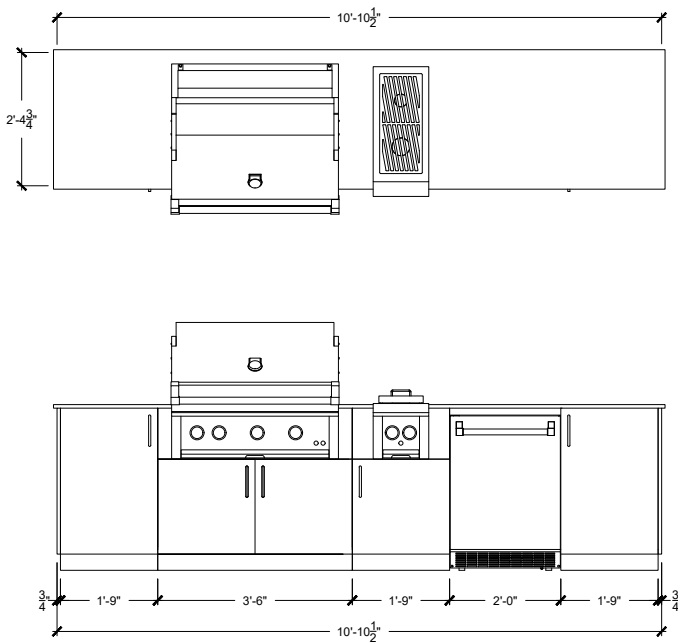
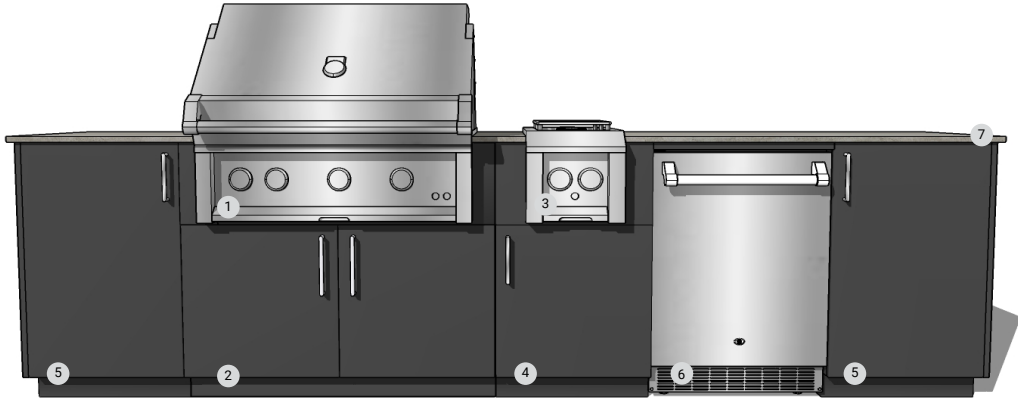
Leg wrench



Toe kick clips

**Installation videos
YouTube channel**

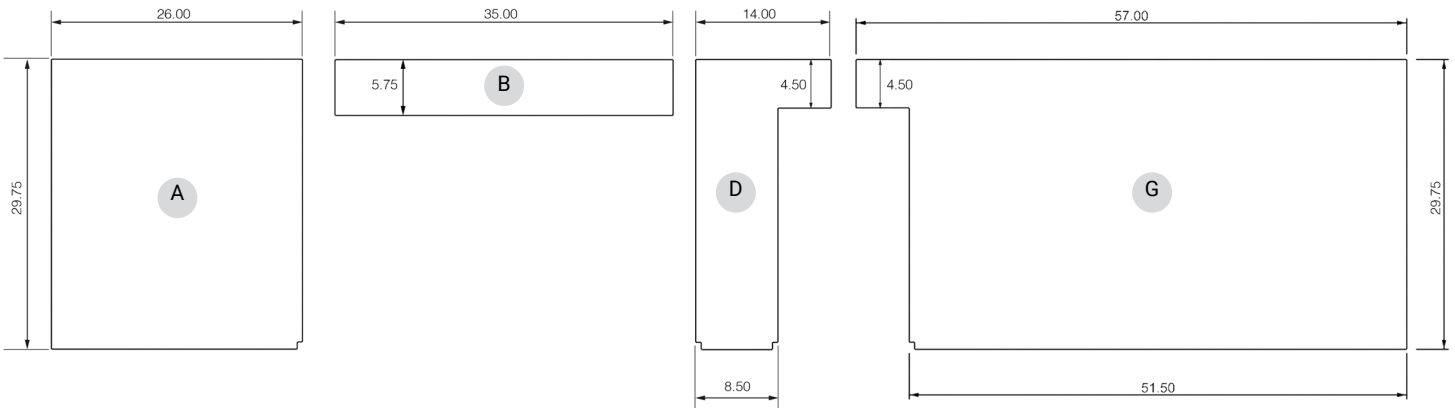
BAY Outdoor Kitchen



Components

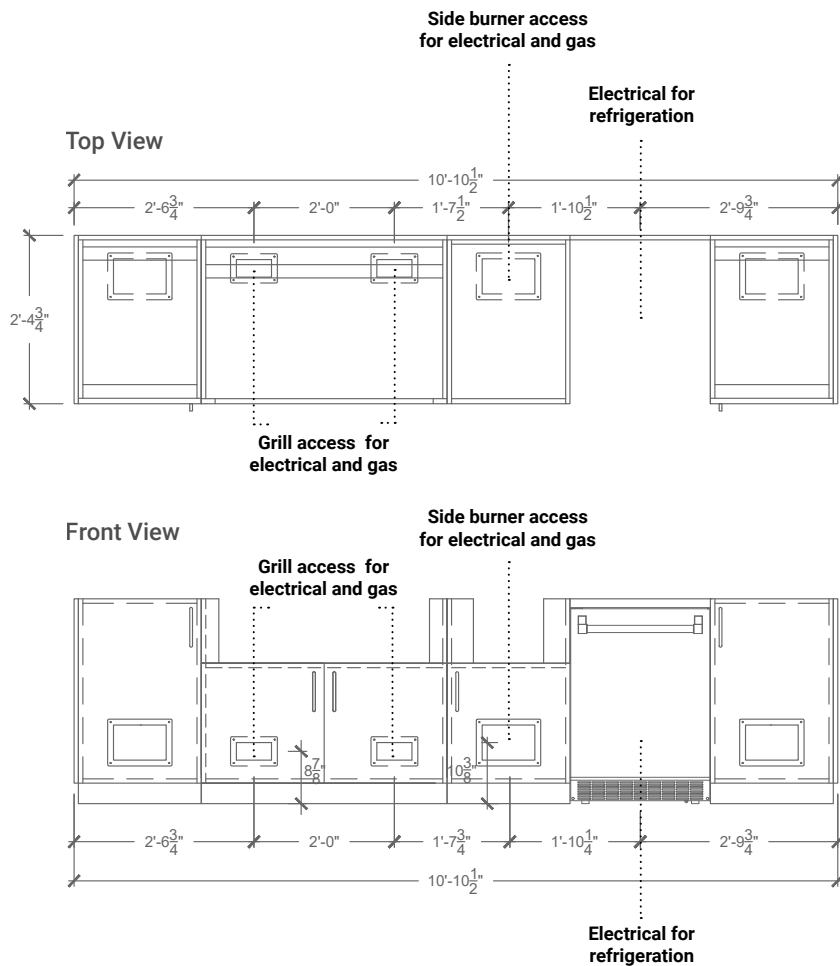
- 1 **Aspire by Hestan 36" Grill**
- 2 **1x Grill Base Cabinet (42")**
For integration with Aspire by Hestan 36" Grill
- 3 **Aspire by Hestan Double Side Burner**
- 4 **1x Side Burner Cabinet (21")**
For integration with Aspire by Hestan Double Side Burner
- 5 **2x Utility Cabinet (21")**
Universal track system
- 6 **Aspire by Hestan 24" Refrigerator**
- 7 **Dekton® Countertop**

BAY countertop



Watch our installation videos on our YouTube channel
or contact support@urbanbonfire.com ou 1 (866) 898-5354.

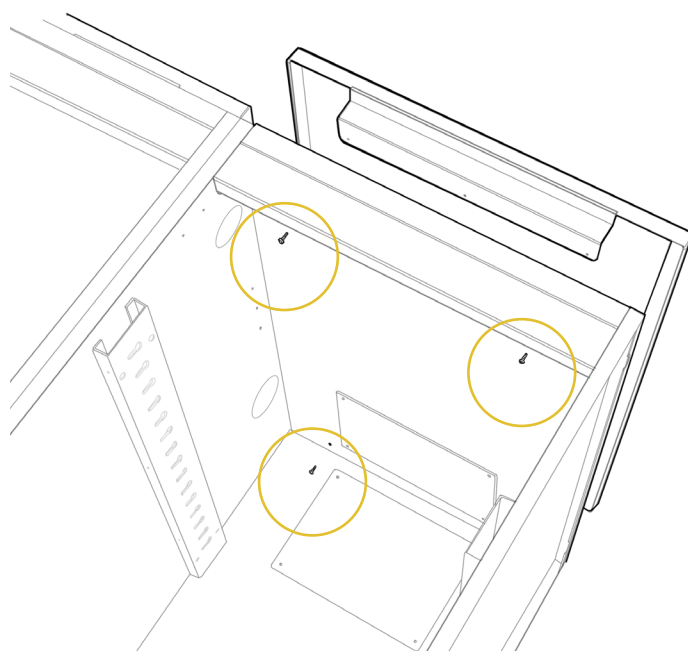
unit: inches
3



Gas and Electrical Conduits Access Points

Gas and electric lines can easily be run in and out of the kitchen using the removable access panels located in the bottom and back of each cabinet. To run lines from cabinet to cabinet, use the circular conduit holes located at the top and bottom of each side.

PLEASE ENSURE THAT ALL GAS, PLUMBING AND ELECTRICAL WORKS ARE TO CODE BY USING A LICENSED CONTRACTOR.



Adding Back Finish Panels

Back finish panels are fastened from inside the cabinet with 4, **#8 screws** (supplied). Ensure self leveling toe kick assembly is attached prior to installation.

Watch our installation videos on our YouTube channel or contact support@urbanbonfire.com ou 1 (866) 898-5354.

Installation Protocol

1. Measure out installation area and mark kitchen location.

2. Remove all internal components and place cabinets upside down on a protected surface.

3. Locate boxes containing cabinet legs and toe kicks.

4. Attach legs to cabinets by screwing on clockwise.

5. Using **#8 screws**, install side panel sliding toe kicks to applicable end-cabinets.

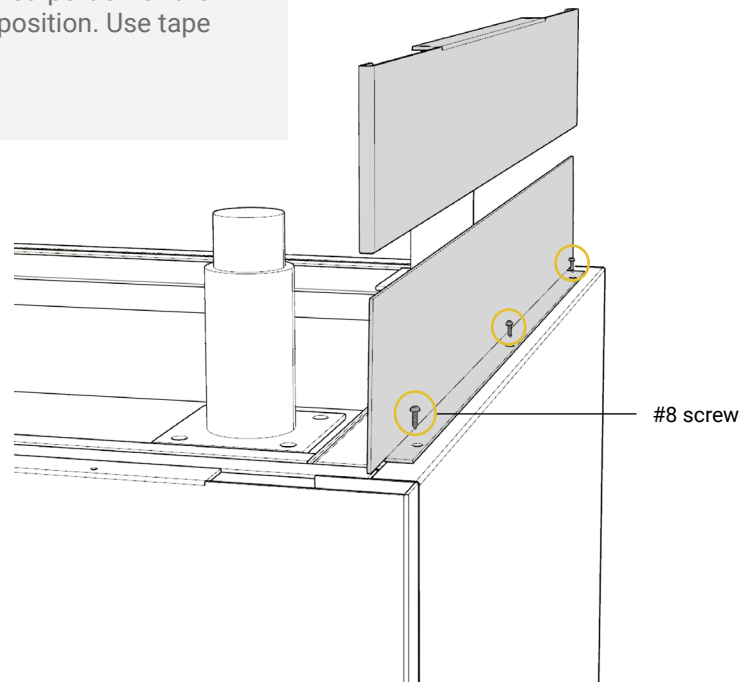
Note: Do not overtighten. Keep tape on toe kick (see Fig. 1).

6. Using **#8 screws**, install back panel sliding toe kicks.

Note: Applicable only to cabinets with finished back-panels. Do not overtighten. Keep tape on toe kick (see Fig. 1).

Fig. 1 - Self Leveling Toe Kick Assembly - BACK AND SIDE

Back and end finish panel toe kick assemblies are attached to finish panel with 3, **#8 screws** (supplied). First fasten the fixed portion of the assembly and then slide the self leveling portion into position. Use tape to hold self leveling portion in place.



7. Place cabinets right side up so that they are standing on their legs.

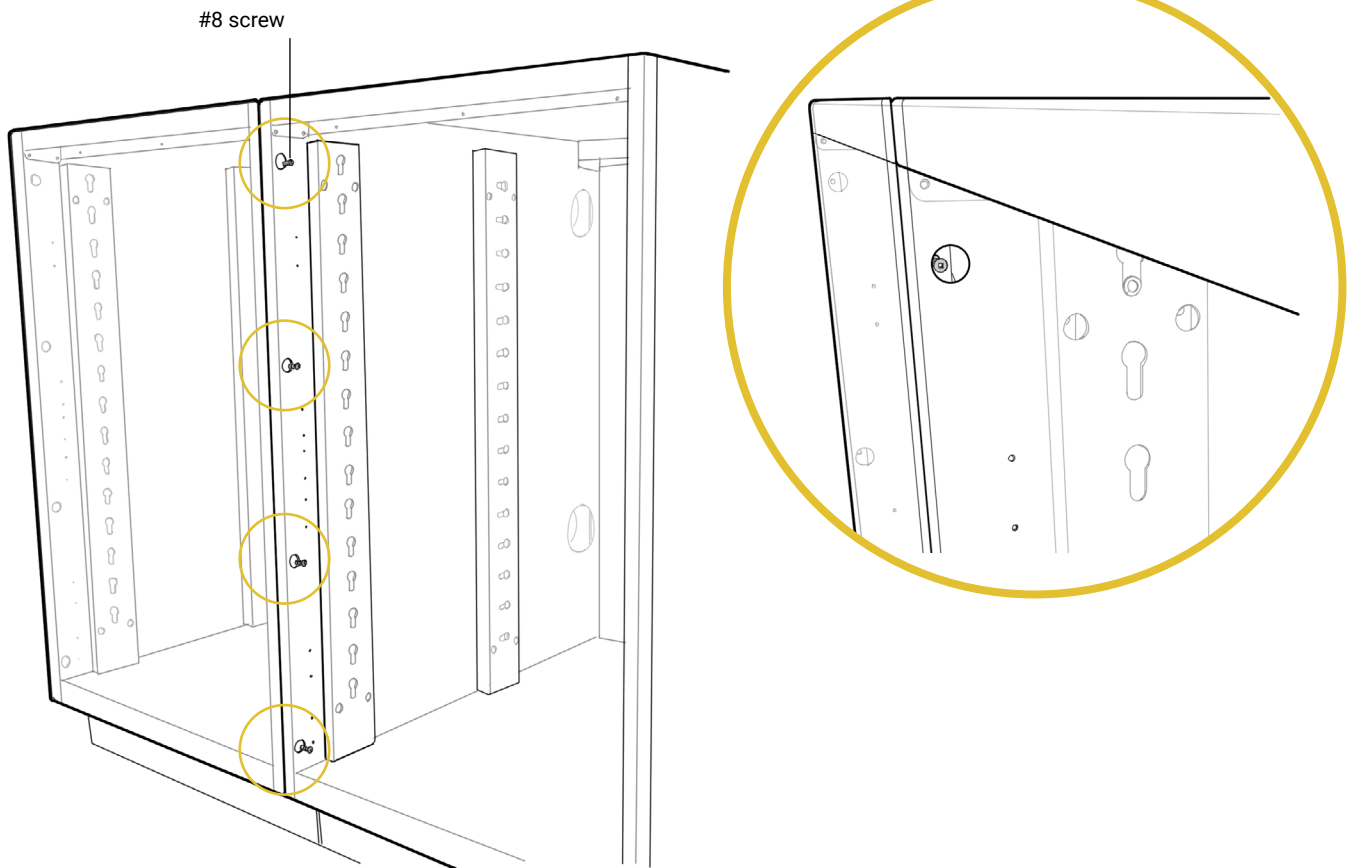
8. Align cabinets into the kitchen location and attach them together using **#8 screws** in the front (see Fig. 2) and **2" long 8-32 bolts** in the back (see Fig. 3).

Note: Cabinets without finished back panels are to be attached through the back section of the cabinet (see Fig. 3). Cabinets with finished back panels are to be attached through the holes on the inside of the cabinet. Do not overtighten.

Fig. 2 - Connecting Cabinets FRONTS

- Align and level cabinets
- Use 4, #8 screws (supplied) to connect the cabinet fronts. DO NOT OVER TORQUE

WARNING: In high wind areas, cabinets should be fastened to a fixed structure.

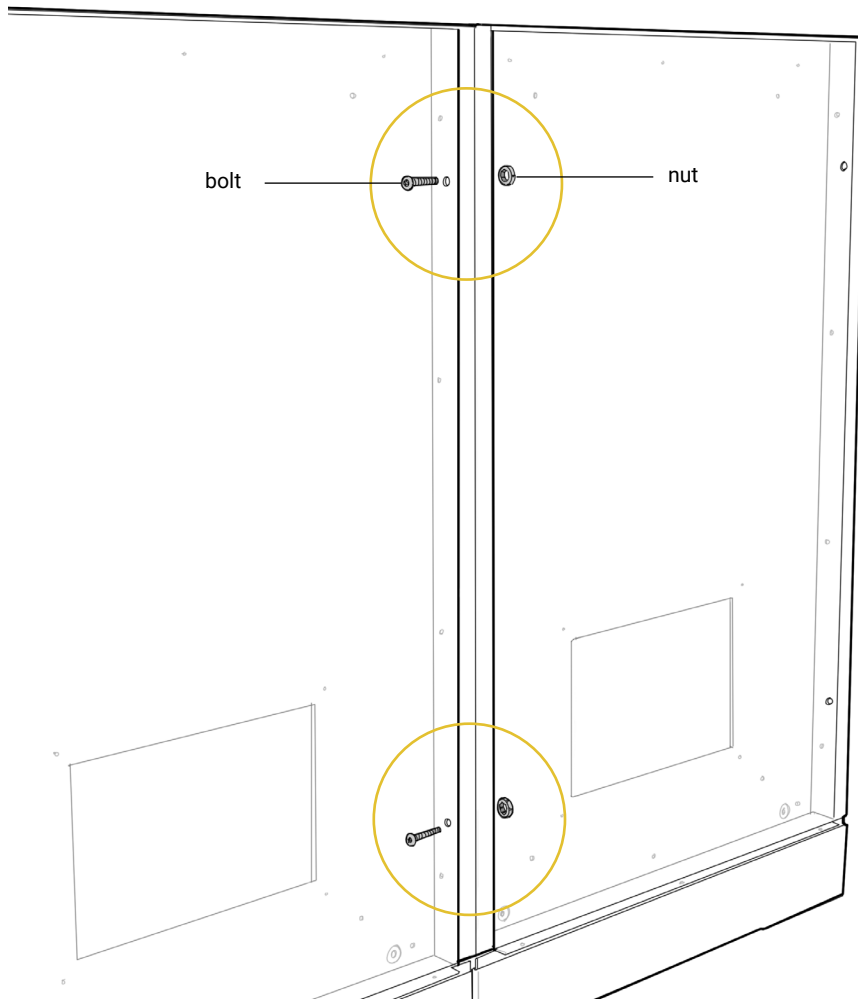


Watch our installation videos on our YouTube channel
or contact support@urbanbonfire.com ou 1 (866) 898-5354.

Fig. 3 - Connecting Cabinets BACKS

Back of cabinets can be fastened together either from within the cabinet cavity (when back panels are present) or from the rear cabinet frame (when no back panels are present - pictured).

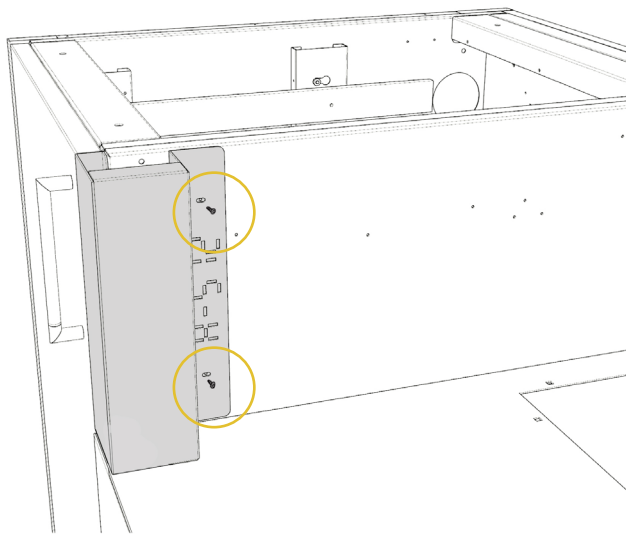
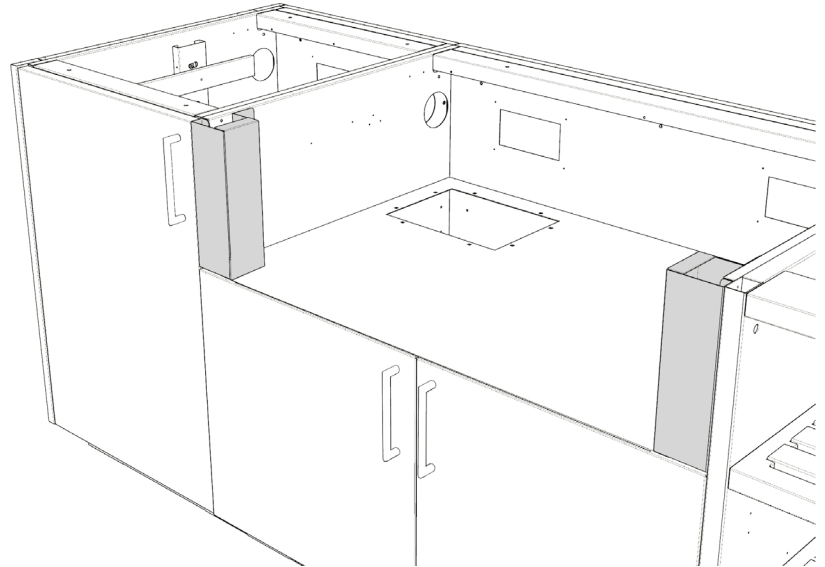
Use 2 **bolts** and **nuts** (supplied) and tighten.



9. Install side trims to the grill base cabinet and side burner cabinet using **#8 screws** (see Fig. 4).

Fig. 4- Installing the Side Trims

The side trims fill the space around your Hestan equipment to provide a consistent finished look.



Fasten the **side** trims, on both sides of the cabinet.

10. Level cabinets, using the adjustable legs, ensuring all legs are sitting solidly on the ground Use the **leg wrench** if needed for legs on the back of the kitchen.

Note: Allow a small, consistent, slope for proper countertop drainage.

11. Countertop installation must be done in accordance with included **Dekton® Installation Guidelines**. (see p.11)

12. Install the toe kick clips to the front toe kicks (see Fig.5).

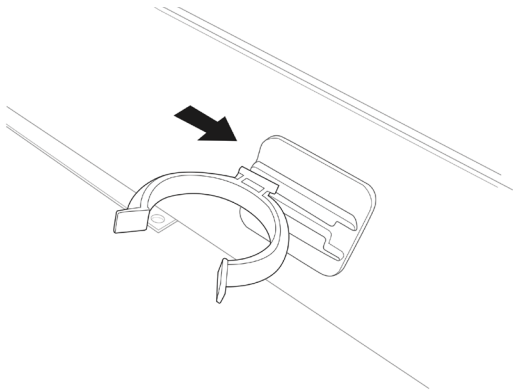


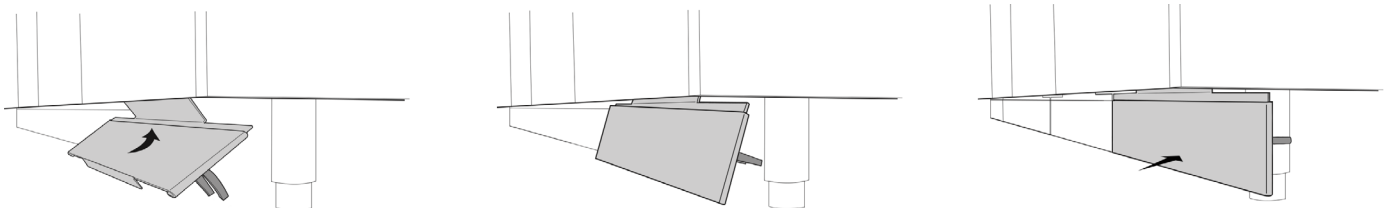
Fig. 5 - Installing the Toe Kick Clip

Install the clip by sliding it to the bracket.

13. Attach front toe kicks by resting the top section on the bottom lip of the cabinet and then attaching the clips to the stainless legs (see Fig. 6).

Fig. 6 - Self Leveling Toe Kick Assembly - FRONT

Self leveling toe kicks are fastened by hanging the top portion of the interior toe kick onto the cabinet frame and then rotating the assembly until clips attach to adjustable cabinet legs.



14. Measure corner toe kick height and cut to size with hacksaw. Attach to the front and side toe kicks (see Fig. 7).

15. Remove tape from back and side toe kicks, allowing front plates to slide down to meet the ground. Adjust the legs if necessary to allow toe kicks to meet the ground.

16. Install interior components in the cabinets (waste and recycling insert, shelves, etc...)

17. Adjust the doors as necessary using hinges to maintain a consistent reveal.

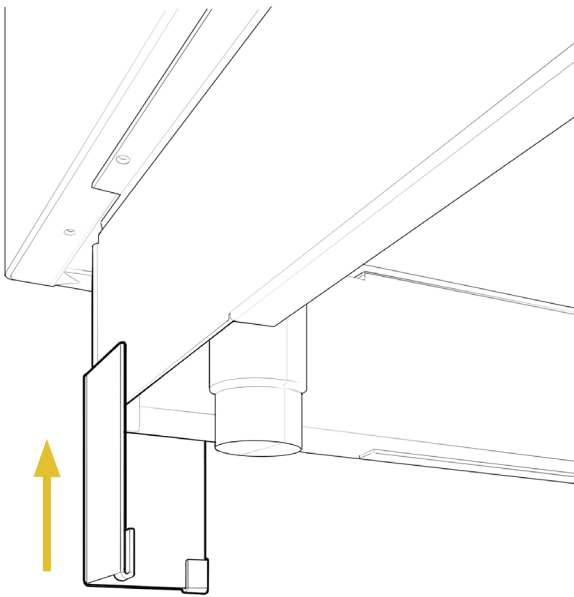
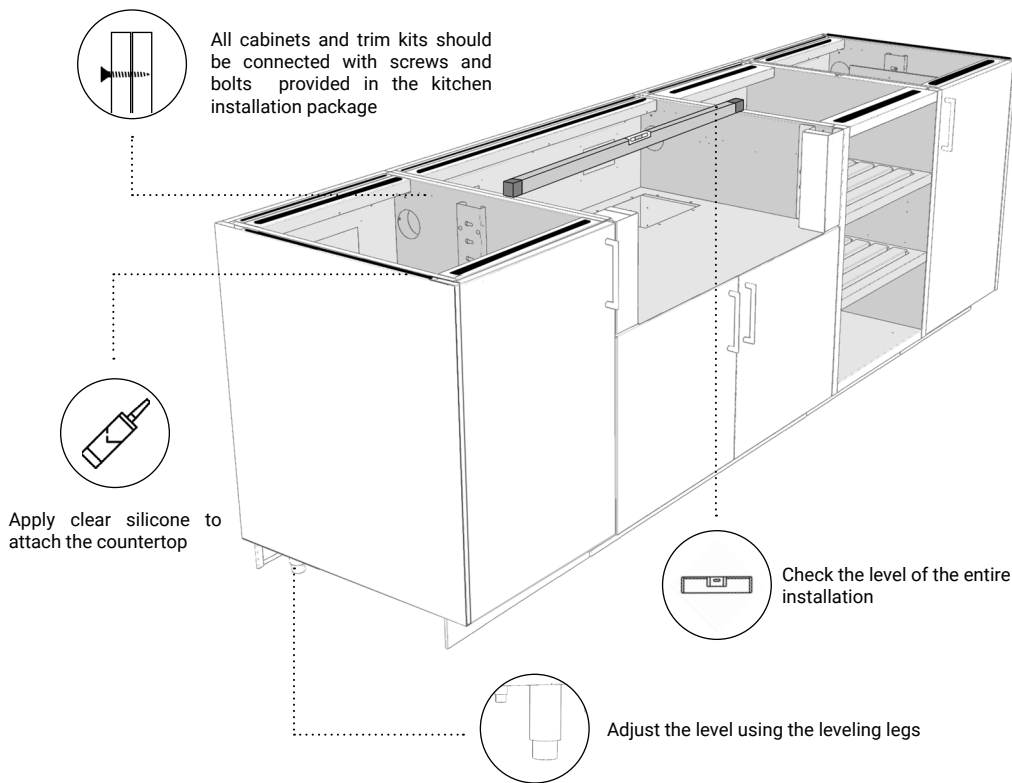


Fig. 7 - Self Leveling Toe Kick Assembly - CORNER

Slide the corner piece into the front and side self leveling toe kick portion.



Inspect the package prior to opening to ensure it has not been damaged during transportation.

Countertops must be transported and installed by two people.

Installation Guidelines

1. Prepare the cabinets for countertop installation

Ensure the entire Urban Bonfire outdoor kitchen system is level. If necessary, adjust the level using the stainless steel leveling legs.

2. Dry-fit countertop pieces

Manipulate the countertop pieces gently and protect the edges when dry-fitting to avoid chipping.

- Countertop pieces must be transported and installed by two people, **and must be manipulated vertically at all times.**
- Dry-fit the countertop into place such that the countertop is sitting appropriately for the grill cut-out, the side-burner cut-out (if applicable) and the overhangs (front, side and back).

3. Shim as necessary

- Verify the level of the countertop.
- If necessary, use wood shims to ensure the countertop is sitting solidly on the cabinets.

4. Install the countertop

Working from left to right, apply a heavy bead of silicone to the cabinets, and gently place the countertop on the silicone.

5. Attach the joints together

- Apply a light bead of silicone between joints and push the two countertop pieces together gently.
- Wipe off excess silicone.

ASPIRE BY HESTAN GRILL INSTALLATION

Please refer to the manufacturer's manual for safe operation and installation of the appliance.

Call the Hestan Hotline
+1 (888) 905-7463

Installation Guidelines

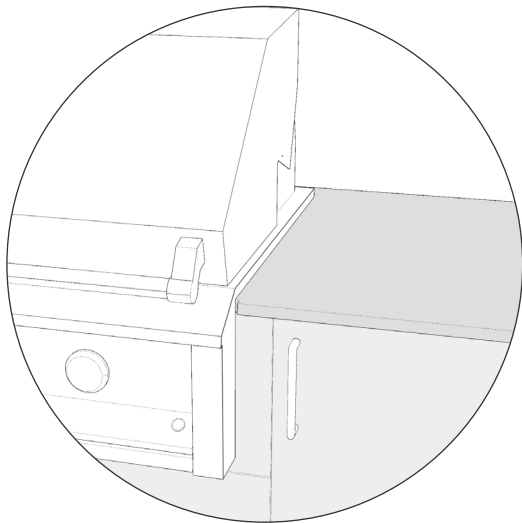
1. Unpack the appliance.
2. Remove all grill surfaces and accessories to lighten the appliance.
3. With the help of a second person, lift the grill head into place into the countertop opening.

Installation Tip

To help keep moisture out of the cabinets, add a bead of silicone between the grill frame and the countertop on both the sides and the back of the grill head.

The grill will sit on top of the Dekton® surface.

Note: make sure to protect all exposed Dekton® surfaces when moving equipment into place to avoid chipping.



To prolong the life of your Urban Bonfire cabinetry and to remain satisfied with the product, please be sure to follow the below instructions:

1. Use the proper tools when cleaning your cabinets. Soft cloths are recommended.
2. Use alkaline, alkaline-chlorinated, or non-chloride cleaners.
3. Wipe off cleaning agents and standing water promptly. Prolonged contact will cause eventual problems.
4. DO NOT use any abrasive materials (such as steel pads, wire brushes or scrapers) on the cabinetry, as they will scratch the surface.
5. DO NOT use any chlorides or quaternary salts on the cabinetry.
6. DO NOT use any hydrochloric acid (muriatic acid) on cabinetry.

Recommended cleaners for specific situations:

Job	Cleaning Agent	Comments
Routine cleaning	Soap, detergent medallion	Apply with soft cloth or sponge
Grease & fatty acids, blood, burnt-on foods	Cameo, Talc	--
Grease and oil	Any good commercial detergent	Apply with soft cloth or sponge

Notice to Professionals

Please be aware that Urban Bonfire Inc. does not provide the following services:

1. Ensuring that the design, services and products being provided by Urban Bonfire Inc. or contractors comply with applicable laws and regulations, including, without limitation, fire codes and zoning regulations.
2. Determining whether the physical environment (including, without limitation, any deck), is suitable for the design, services and products provided by Urban Bonfire Inc. or contractors.

It is the Client’s full responsibility, at its sole cost, to ensure and determine the items set forth in (1) and (2) above, and in the event that Urban Bonfire Inc. is unable to complete its design or provide the services or products due to any issues relating to (1) or (2) above, all fees payable by the Client shall remain payable, notwithstanding that Urban Bonfire Inc. may not be able to complete its services, and Client hereby agrees to indemnify and hold harmless Urban Bonfire Inc. from any liabilities relating hereto.

Normal Maintenance

Due to its practically zero porosity, the ultra-compact Dekton® surface is highly resistant to staining in day-to-day use and from chemical products, making it ideal for use as a kitchen worktop and as a surface for other kinds of work, both inside and out.

For general cleaning, Cosentino recommends the use of neutral soap and water with a sponge or scouring pad.

Cleaning Stubborn Stains

Stain	Cleaning Product
Grease and oil	Alkaline Detergent / Solvent
Ink	Solvent
Rust	Acid
Limescale	Acid
Wine	Alkaline Detergent / Acid
Tyre Rubber	Solvent
Ice Cream	Alkaline Detergent
Resin / Nail Varnish	Solvent
Coffee	Alkaline Detergent / Acid
Candle Wax	Solvent
Asphalt	Solvent
Residual Cement	Acid
Gesso	Acid
Epoxy Adhesive and Grouting	Solvent
Cola	Oxidant
Fruit Juices	Oxidant
Tar	Solvent
Nicotine	Solvent / Oxidant

Acid cleaning products can include any of low pH or descaling agent etc. Alkaline products include basic cleaning agents, ammonia etc.

Solvents can include products such as universal solvent, turpentine (white spirit), acetone, alcohol etc. Oxidants include products such as hydrogen peroxide and diluted bleach.

Prevention of Knocks

Although Dekton® is an extremely resistant surface, knocks should be avoided in areas which are more exposed (corners, edges, bevels etc.).

Performance in Contact with Hot Objects

Recipients such as frying pans, saucepans, casseroles and coffee makers etc. can be placed directly on the work surface after use. Electrical apparatuses which give off heat can also be placed on the unprotected surface. Dekton® is designed to withstand utensil temperatures from domestic use.*

*For Dekton® 8 mm it is necessary to use protection for hot objects.

Precautions

- Please avoid direct constant contact between worktops and metal areas of electric griddles and hobs which can occasionally occur due to incorrect installation.
- Avoid very high temperature direct sources of heat such as fireplaces, chimneys, barbeques etc.
- Avoid direct contact with a naked flame.
- Do not carry out any form of mechanical work on the surface, such as polishing.
- Avoid using metal scouring pads.
- The use of this type of product can lead to the loss of the product guarantee.

See the Dekton web page www.dekton.com for more information, cleaning methods, general maintenance and exposure to chemical substances.